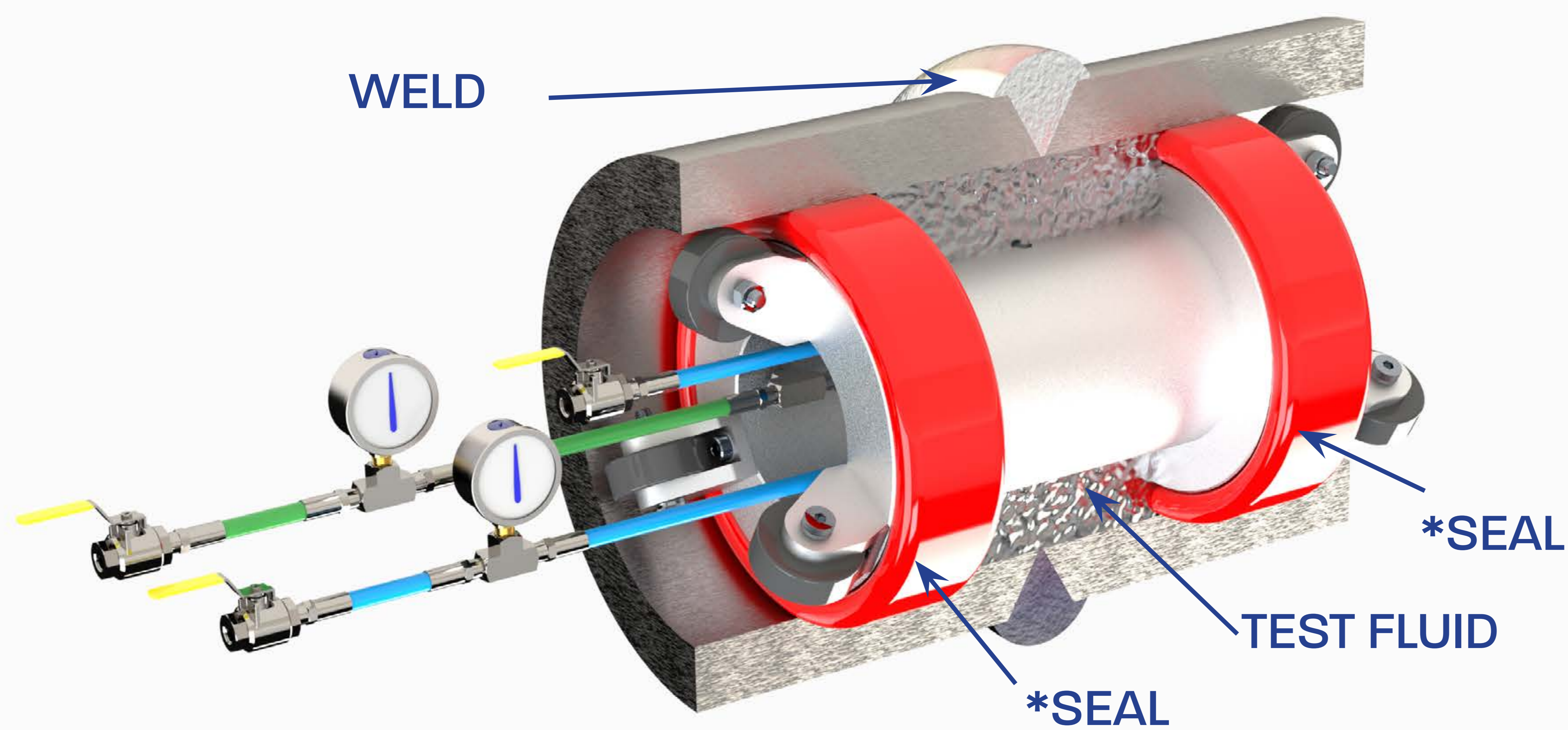


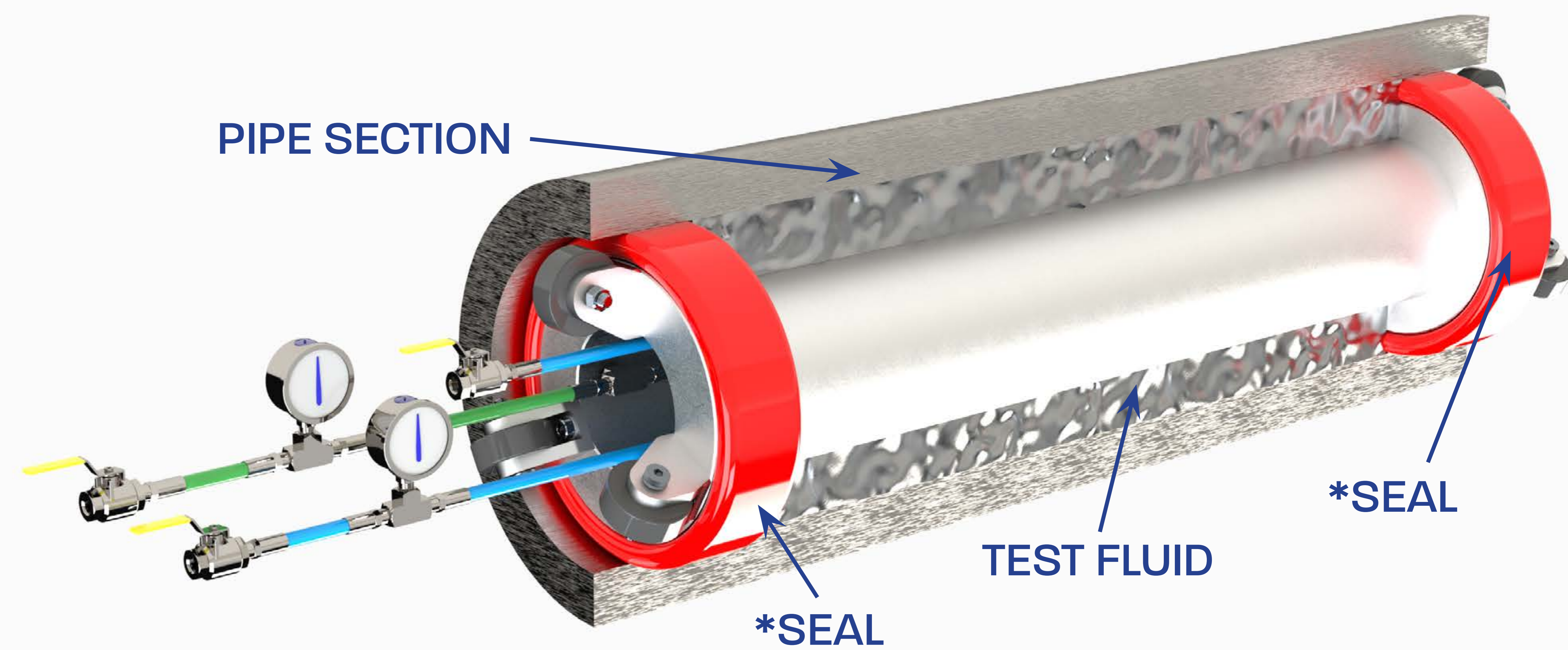
JOINT TESTER APPLICATIONS

PRACTICAL SOLUTIONS UTILIZING JOINT TESTERS

STANDARD JOINT & WELD PRESSURE TESTING TOOL

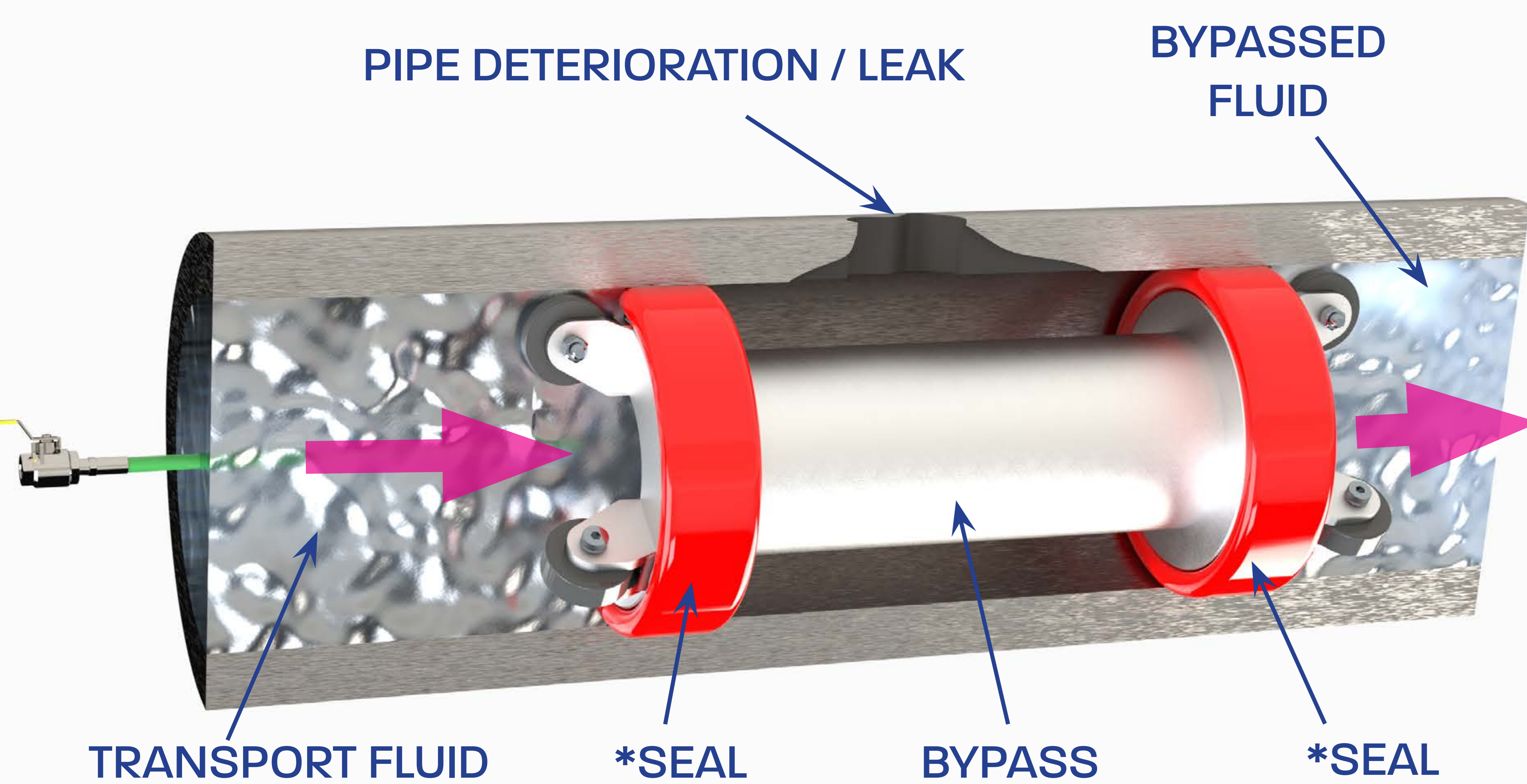


PIPE SECTION PRESSURE OR BURST TESTING TOOL

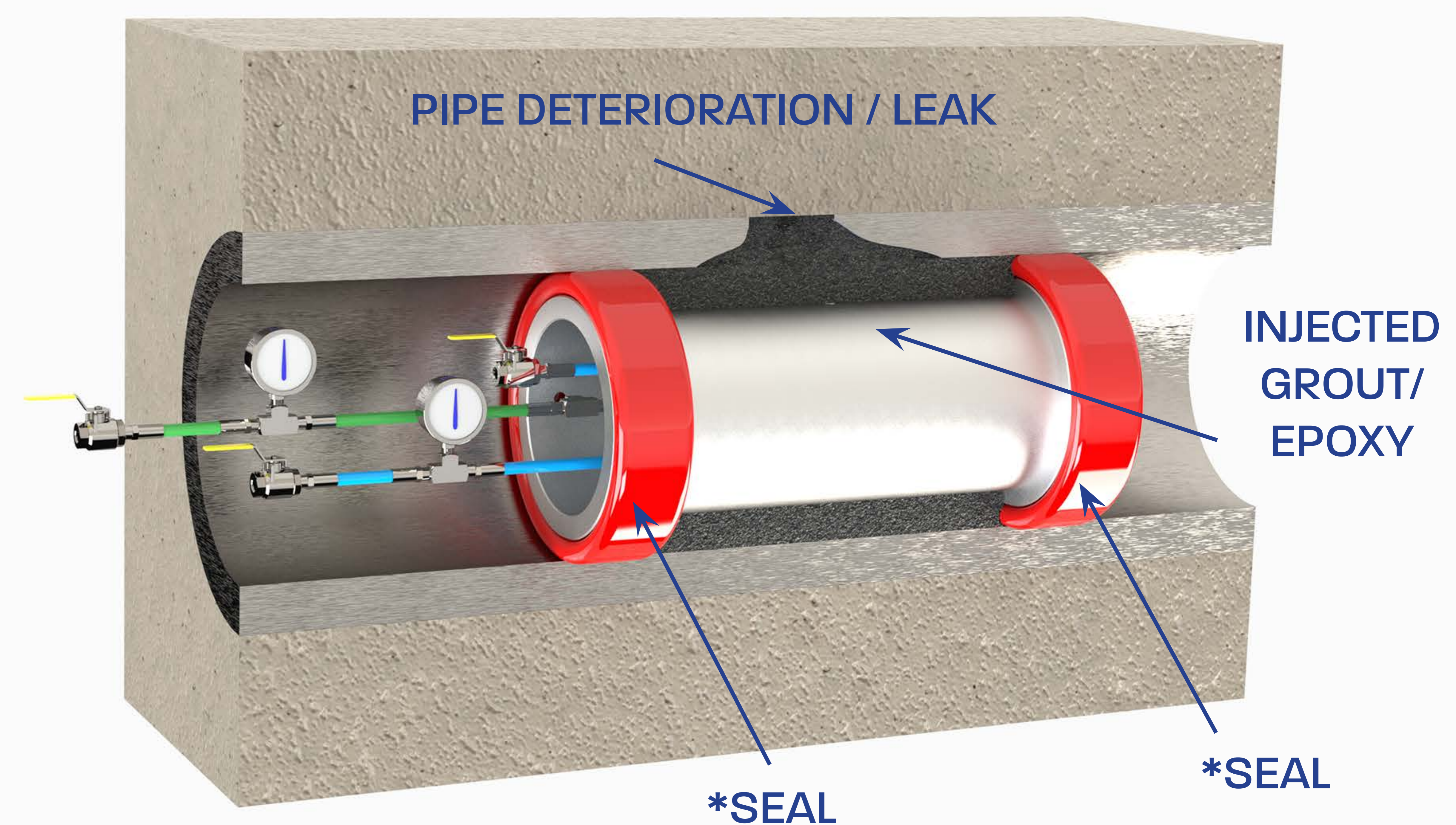


*ALL UNITS SHOWN WITH SEALFAST® INFLATABLE SEALS
(MECHANICAL & INFLATABLE SEAL OPTIONS AVAILABLE)

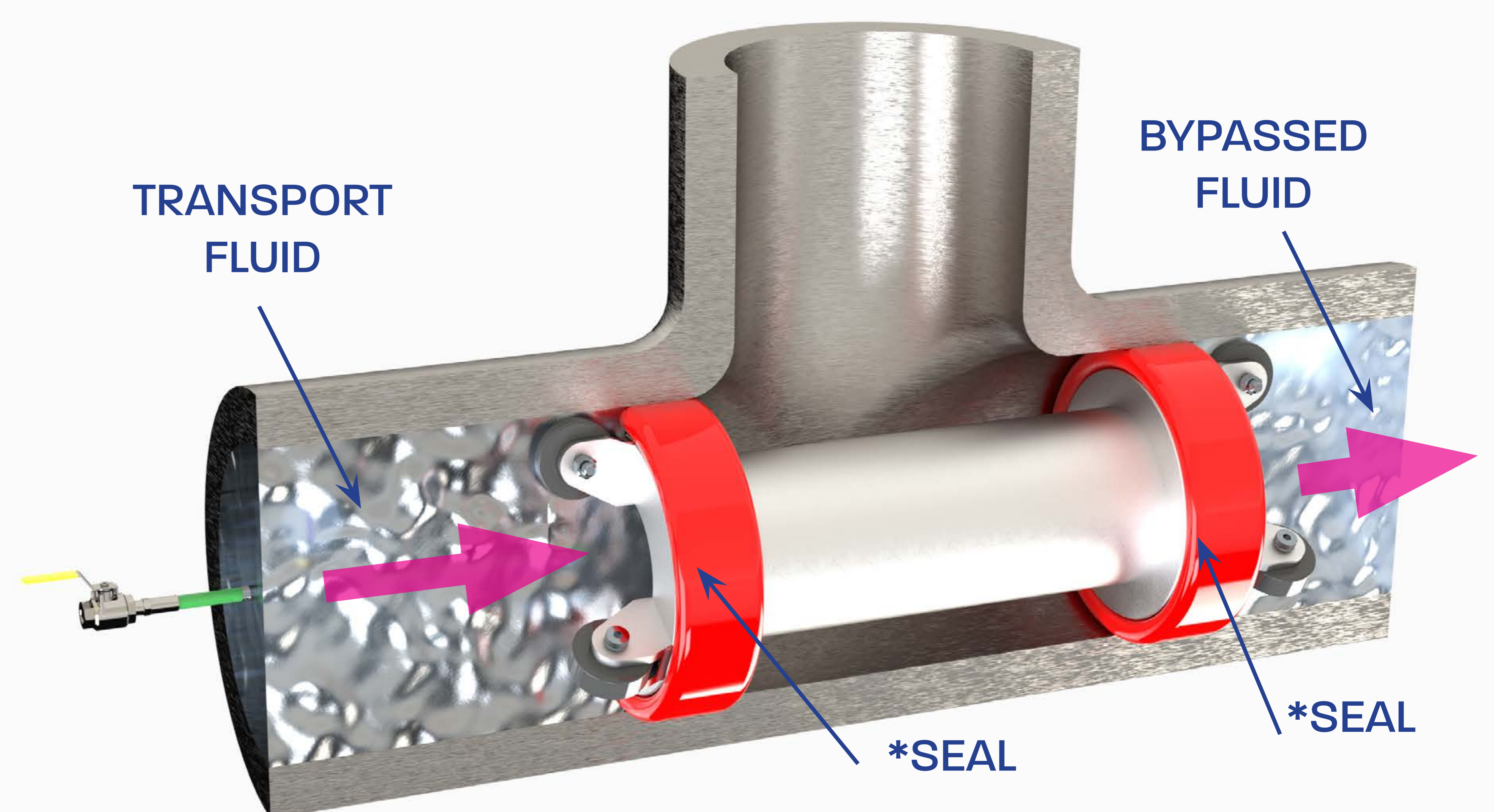
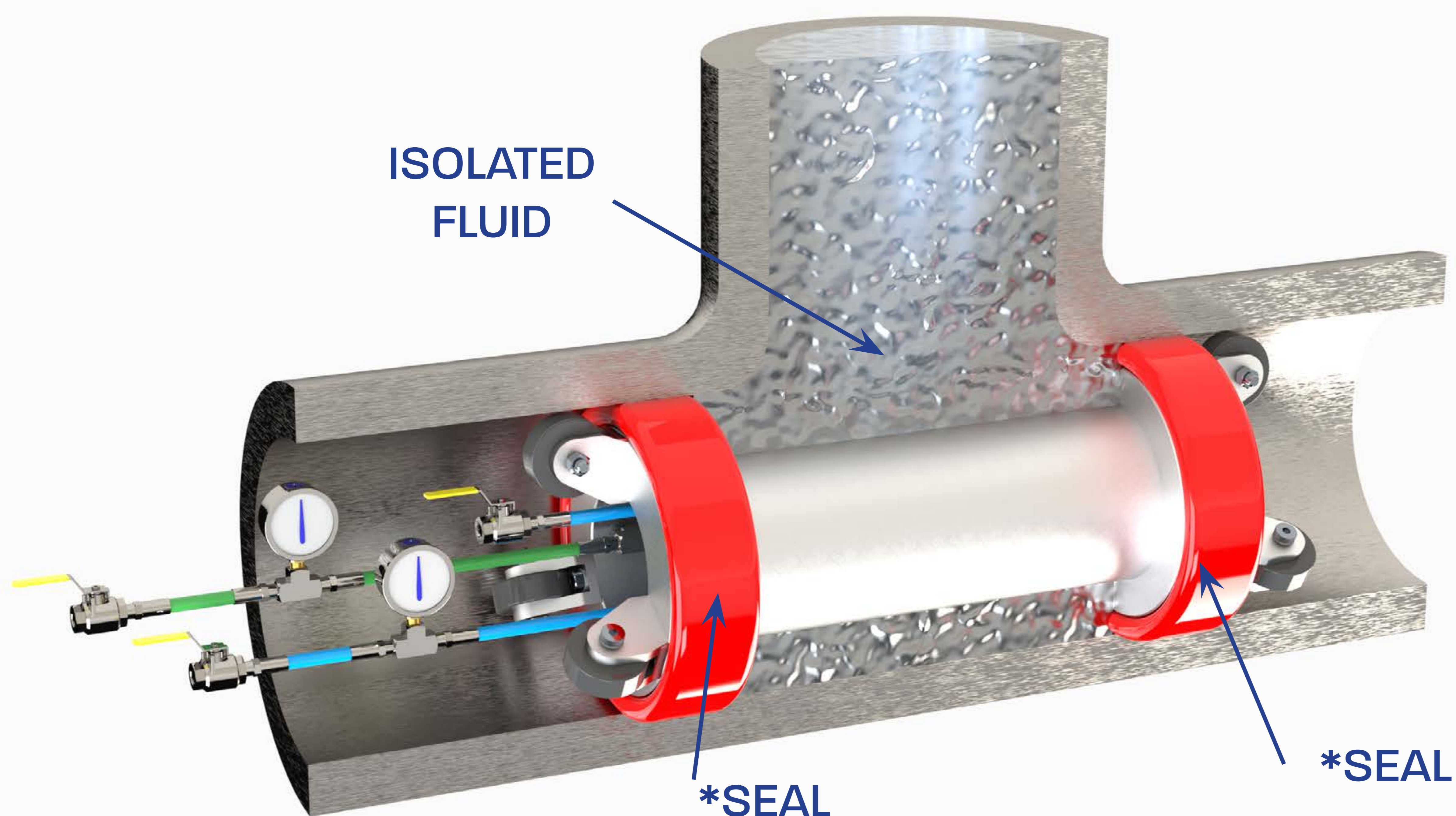
BYPASS TOOL FOR LEAKS



PIPE REPAIR SLEEVE / GROUT PACKER TEMPORARY TO PERMANENT OPTIONS



PIPE INTERSECTION AND FITTING ISOLATION TOOLS



TO LEARN MORE PLEASE VISIT:

<https://mechanicalresearch.com/products/joint-testers/>