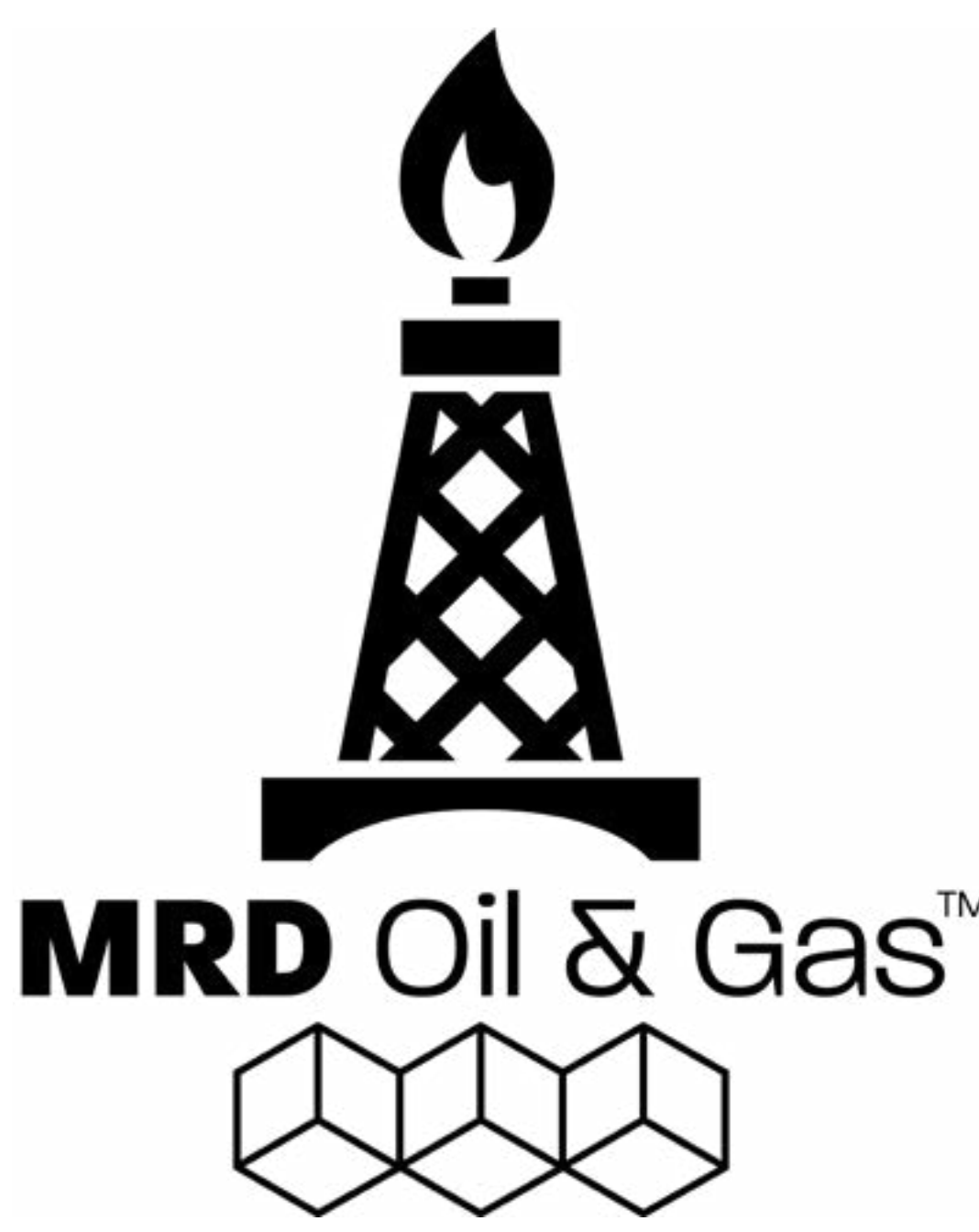


# ADAPTABLE, CONFIGURABLE, AND FLEXIBLE DRILLING MUD CONTAINMENT SEAL HOUSINGS:

## INFLATABLE SEAL BELL NIPPLE SYSTEMS FOR LAND RIGS AND OFFSHORE RIGS

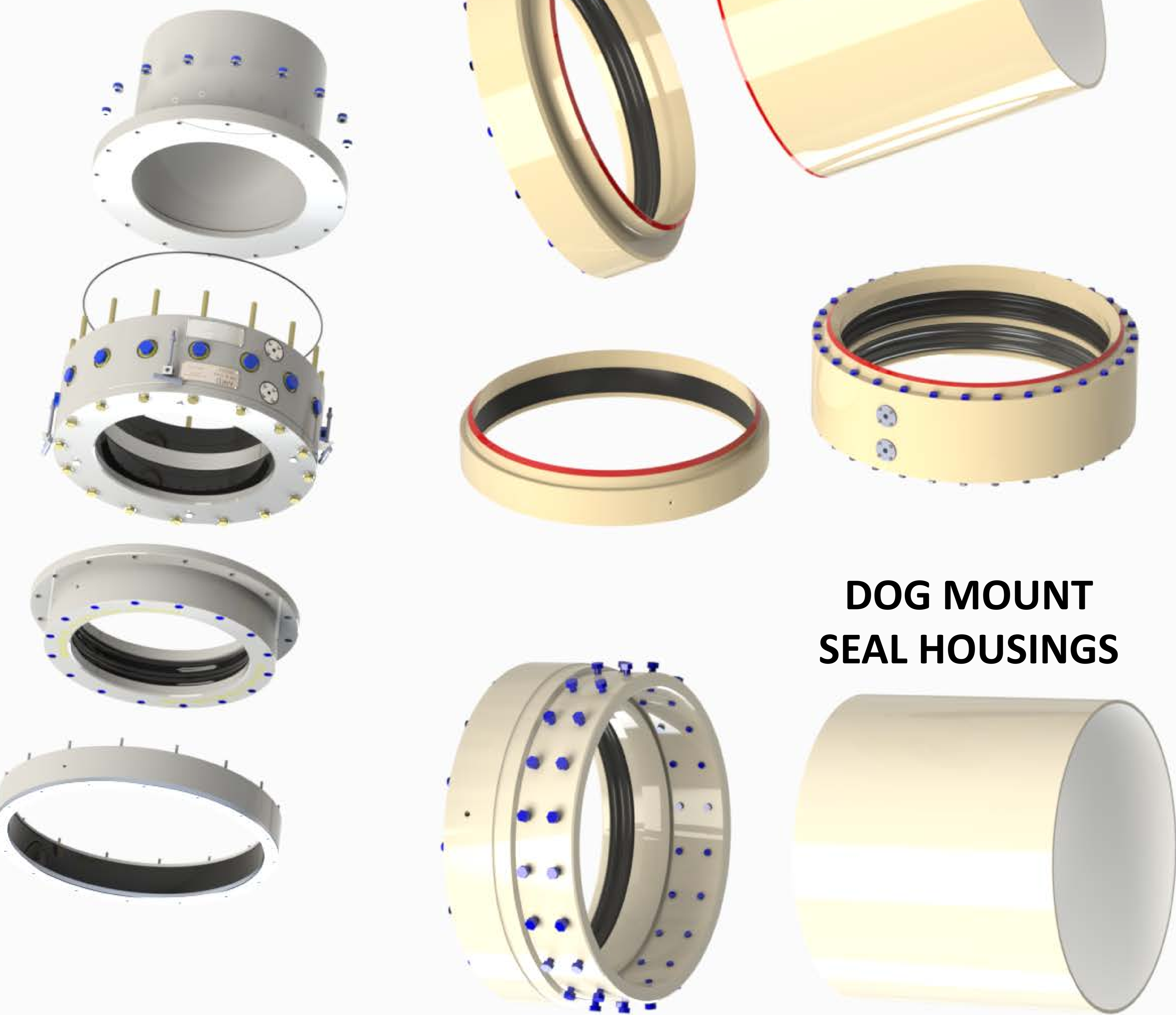


- SINGLE OR MULTIPLE REDUNDANT SEALS TO MINIMIZE DRILLING DOWNTIME
- SEAL HOUSINGS AVAILABLE ALONE OR IN MODULAR ASSEMBLIES
- MUD COLLECTION AND SEALING FOR ENVIRONMENTAL PROTECTION AND SAFETY

### MODULAR SEAL HOUSINGS AND CONNECTORS ADAPTABLE TO ANY DRILLING INFRASTRUCTURE

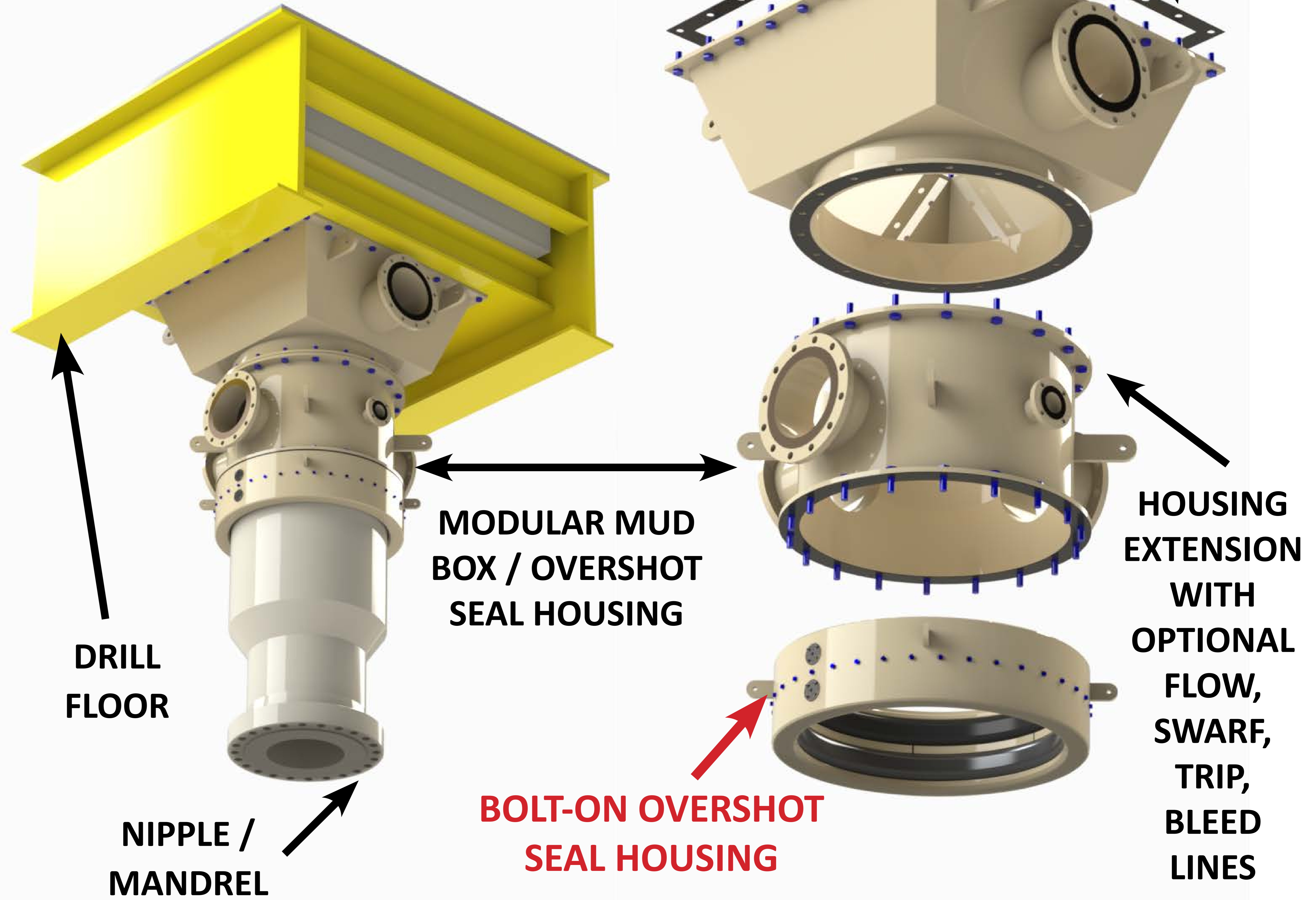
**BOLT-ON SEAL HOUSINGS**

**WELD-ON SEAL HOUSINGS**

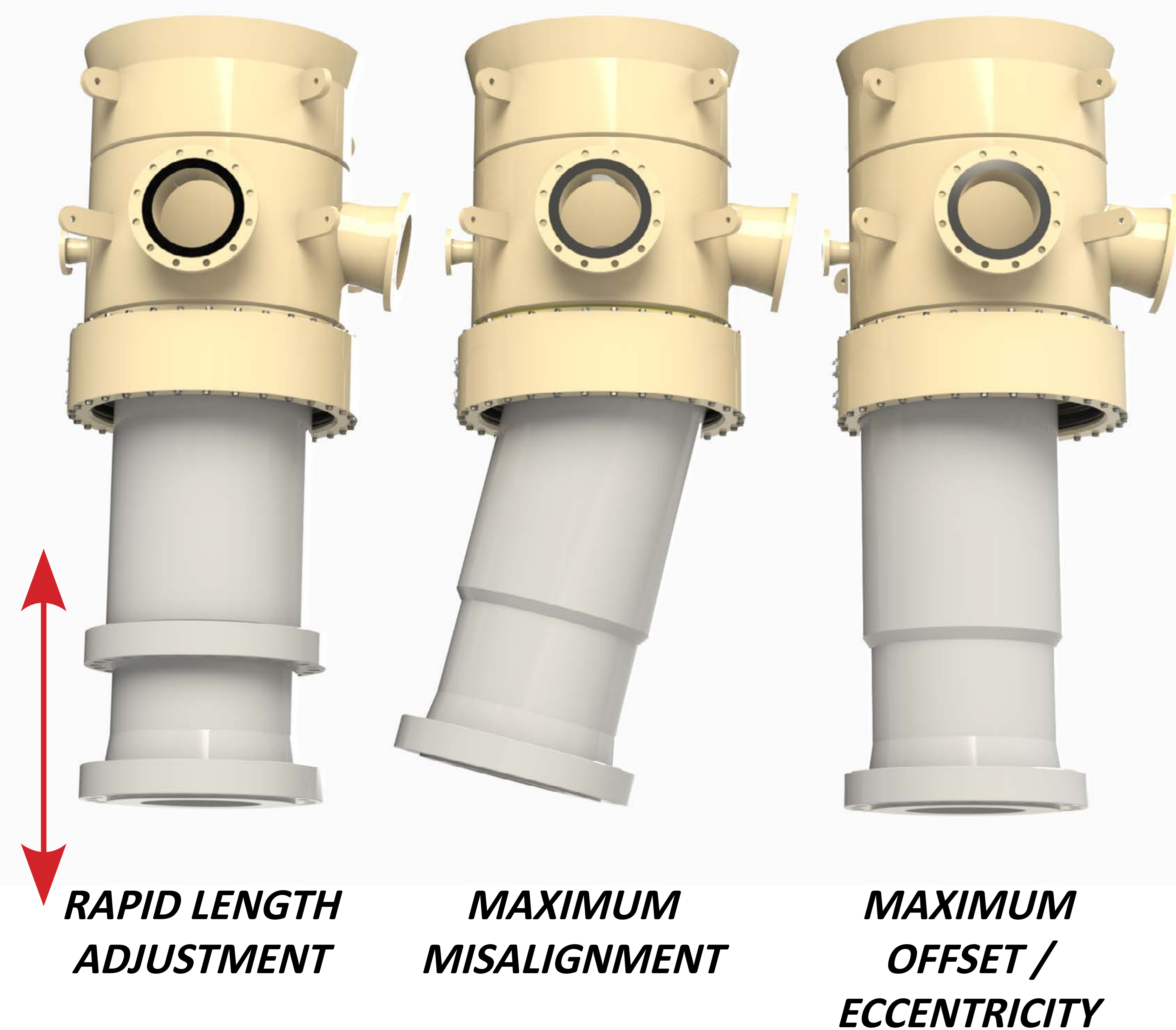


**DOG MOUNT SEAL HOUSINGS**

### MODULAR BELL NIPPLE SYSTEMS: DIRECT MOUNT TO DRILL FLOOR (BOLT-TOGETHER STYLE)



### THE SEALFAST® ADVANTAGE - FOR DRILLING SYSTEMS REQUIRING MAXIMUM FLEXIBILITY AND ADJUSTABILITY

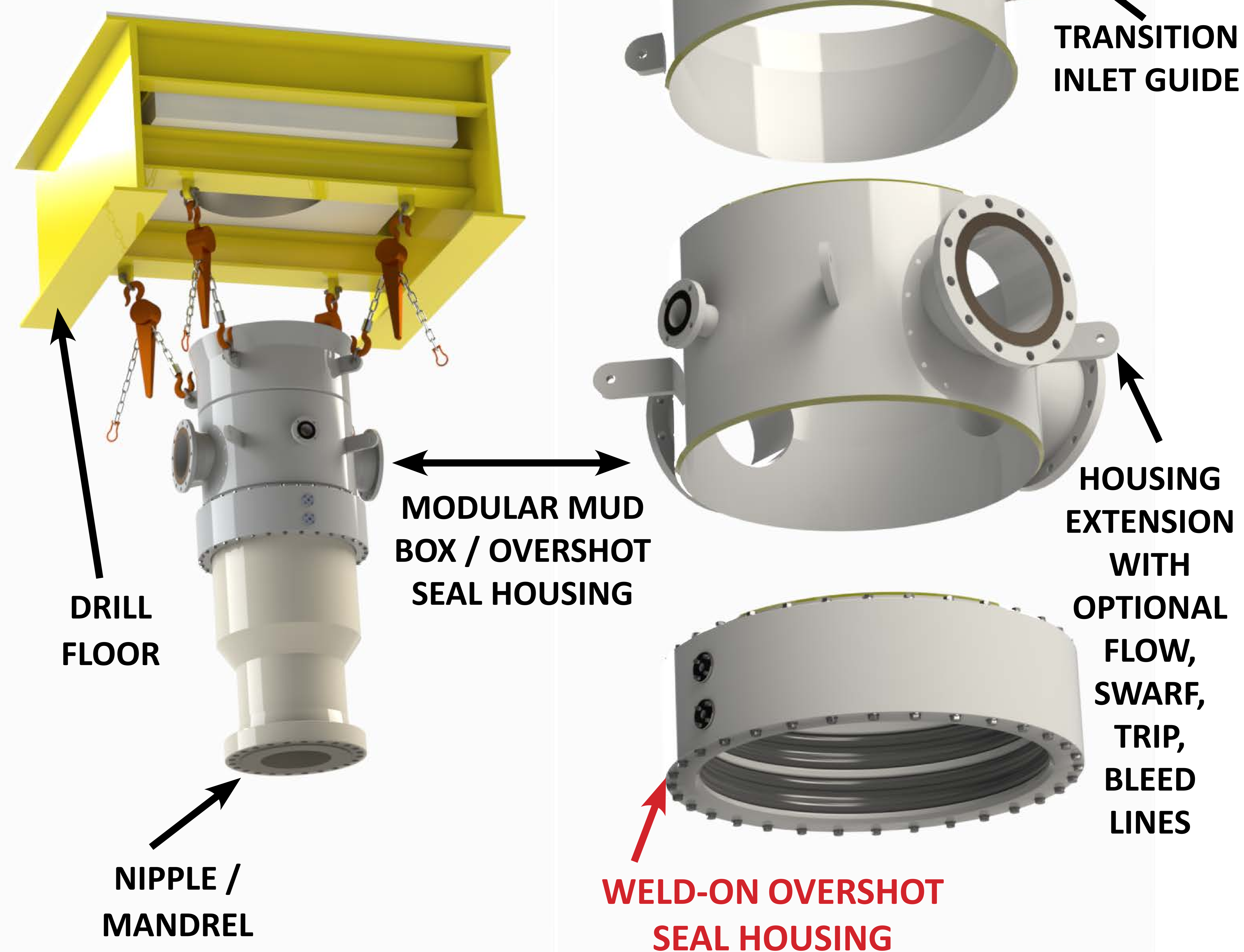


**RAPID LENGTH ADJUSTMENT**

**MAXIMUM MISALIGNMENT**

**MAXIMUM OFFSET / ECCENTRICITY**

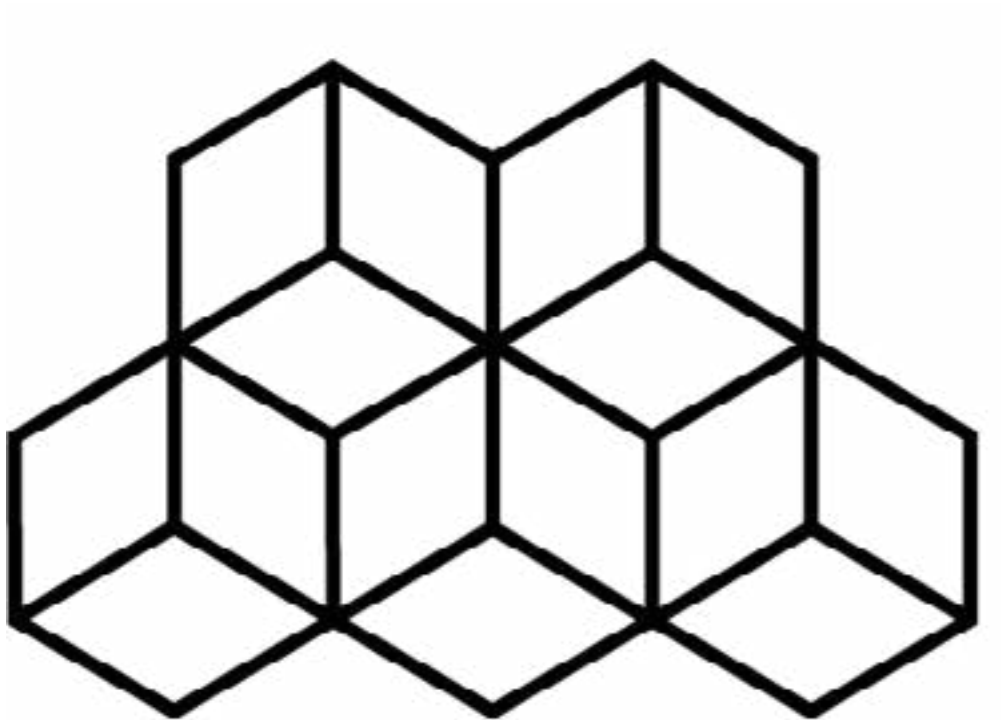
### MODULAR BELL NIPPLE SYSTEMS: HANG OFF UNDER DRILL FLOOR (WELD TOGETHER STYLE)



**TRANSITION INLET GUIDE**

**HOUSING EXTENSION WITH OPTIONAL FLOW, SWARF, TRIP, BLEED LINES**

**WELD-ON OVERSHOT SEAL HOUSING**



**Mechanical Research & Design, Inc.**